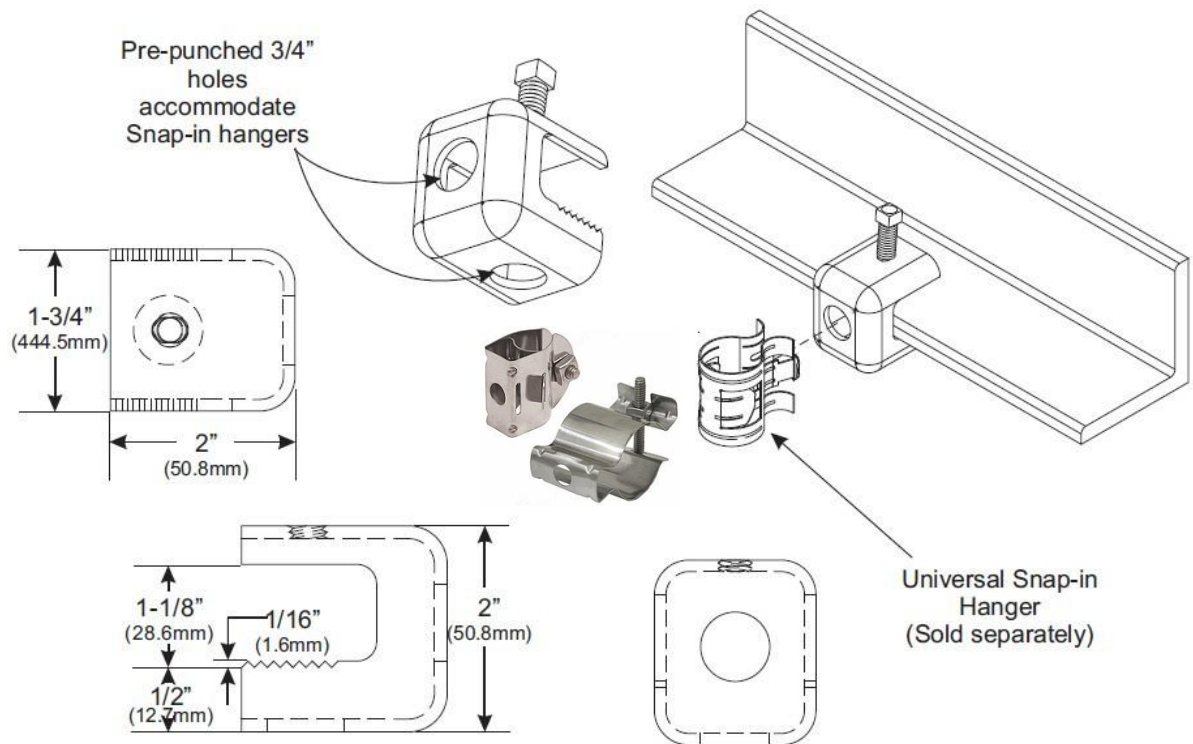


2014/4/25



ChinaMei is a leading manufacturer and exporter in Weatherproofing kits, Coax Accessories and Fttth components products, our staffs have years of experience in telecommunication industry and sophisticated with exporter experiences. ChinaMei possesses all kinds of injection molding machines and a variety of finishing machinery and equipments. In order to provide reliable and innovative products, we have been committed to product innovation and continuous improvement. According to customer demand, every year we have many new products to the market. Contact us now or call us at 86 0571 86551223.

ChinaMei-- Angle Adapters for Snap-Ins



Specifications

Material: 304 stainless steel

Materials thickness: 3/16" (0.47cm)

Features

Heavy Duty 304 Stainless Steel construction.

Stainless square head bolt & fillister screws included.

Includes 10 adapter inserts that convert the 3/4" Snap-In holes to threaded 3/8" holes for use with butterfly style hangers.

More information please log on www.hzhot.com for more!